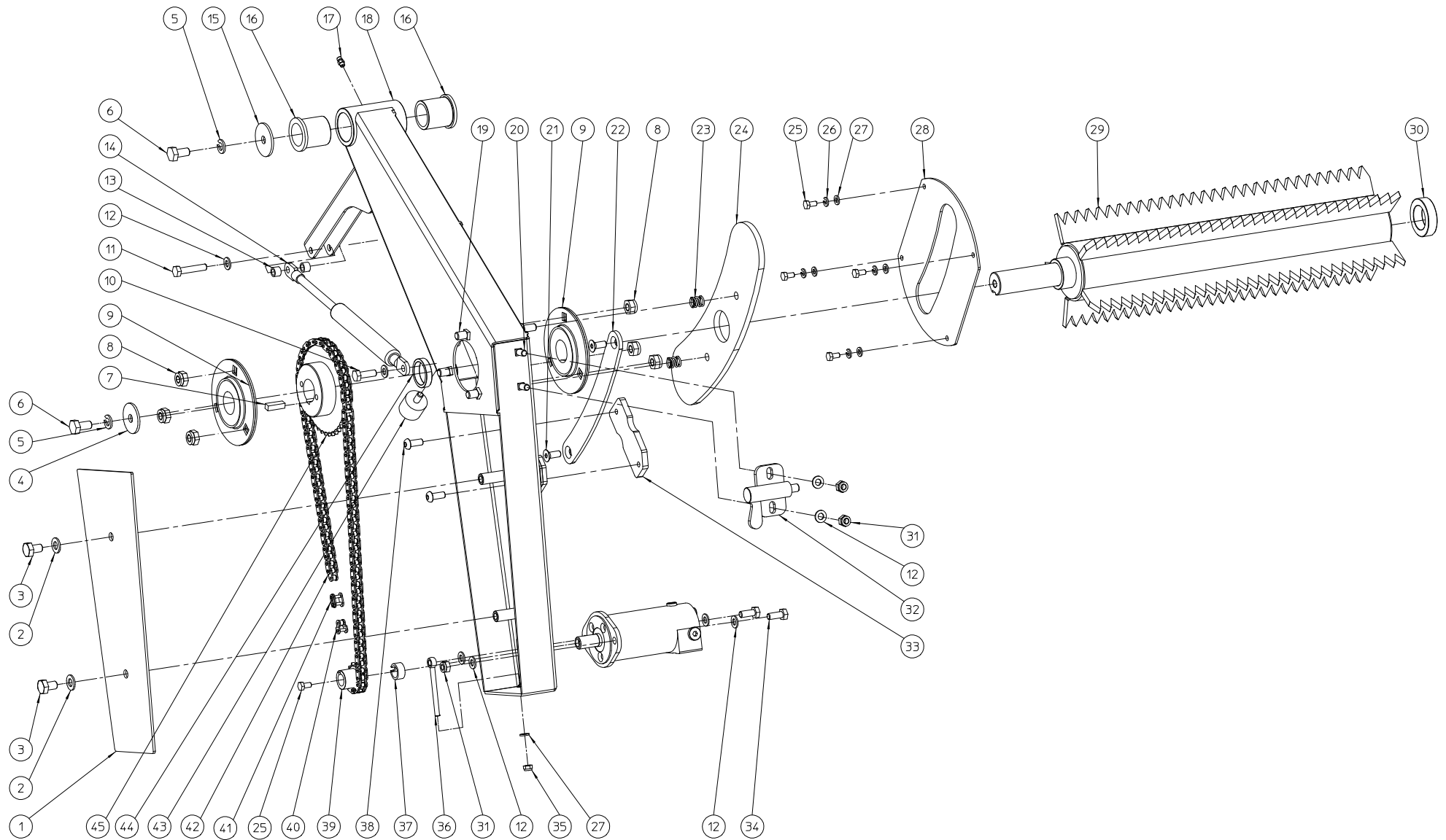


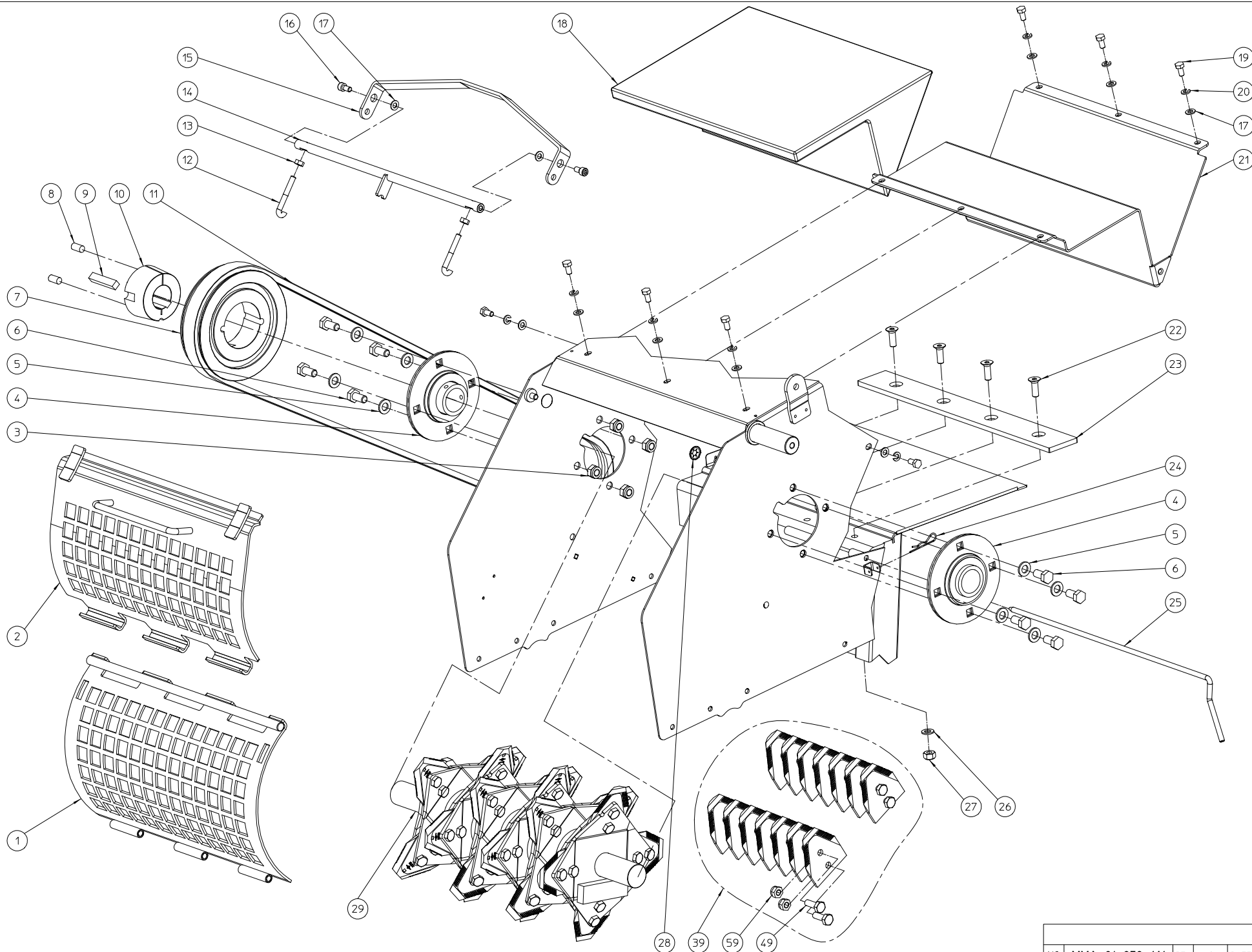
NO	MMA 01 073 120	REV	2	DATE	2019/02/18
----	----------------	-----	---	------	------------

TargetReference	PartNumber	PartDescription	Qty
1	BS 512 000 812	M8X12 BOLT DIN 933	2
2	BS 534 000 800	M8 LOCKING WASHER DIN 6798	2
3	BS 531 000 800	M8 WASHER DIN125	10
4	MPA 01 073 180	SAFETY BAR	1
5	BR 600 130 301	RUBBER ANTI-VIBRATION 30X30 M8X20	2
6	BS 502 000 800	M8 LOCKING NUT DIN 985	2
7	BS 533 000 800	M8 LOCKING WASHER DIN 127	6
8	BS 512 000 820	M8X20 BOLT DIN 933	3
9	MPA 01 074 240	SUPPORT FOR EMERGENCY STOP	1
10	BS 531 000 600	DIN 125 RONDELLE M6 WASHER DIN 125	15
11	BS 502 000 600	M6 LOCKING NUT DIN 985	8
12	MPA 01 073 810	FIXING SUPPORT ANTI-PROJECTION	1
13	BN 630 208 200	LOBE KNOB M8X20	1
14	BS 532 008 253	WASHER M8 X 25X 1.5	1
15	BS 512 000 816	M8X16 BOLT DIN 933	3
16	BK 152 250 201	CABLE ANTI-PROJECTION FLAP	1
17	BS 522 500 620	M6X20 BOLT ISO 7380	1
18	BS 507 000 008	M8 EYE BOLT	1
19	BQ 505 010 100	SAFETY DECAL 460X200	1
20	BS 512 000 620	M6X20 BOLT DIN 933	1
21	MPA 01 073 510	HOLDER ANTI PROJECTION FLAP	1
22	BR 900 001 670	RUBBER ANTI PROJECTION FLAP 510 X 210	1
23	MPA 01 073 590	RETAINER ANTI PROJECTION FLAP	1
24	BB 221 104 140	REVIT 3.9X14	6
25	BS 531 001 000	M10 WASHER DIN 125	1
26	BS 533 001 000	M10 LOCKING WASHER DIN 127	1
27	BS 512 001 020	M10X20 BOLT DIN 933	1
28	MPA 01 073 200	BELT TRANSMISSION GUARD	1
29	BS 512 000 616	M6X16 BOLT DIN 933	4
30	MPA 01 073 300	SUPPORT BRACKET ANTI PROJECTION FLAP	1
31	BS 051 601 624	BALL HEAD PRESSURE SCREW M16X24 MM	1
32	BS 511 000 635	M6X35 BOLT DIN 931	2
33	MPA 01 073 650	SUPPORT SAFETY SWITCH	1



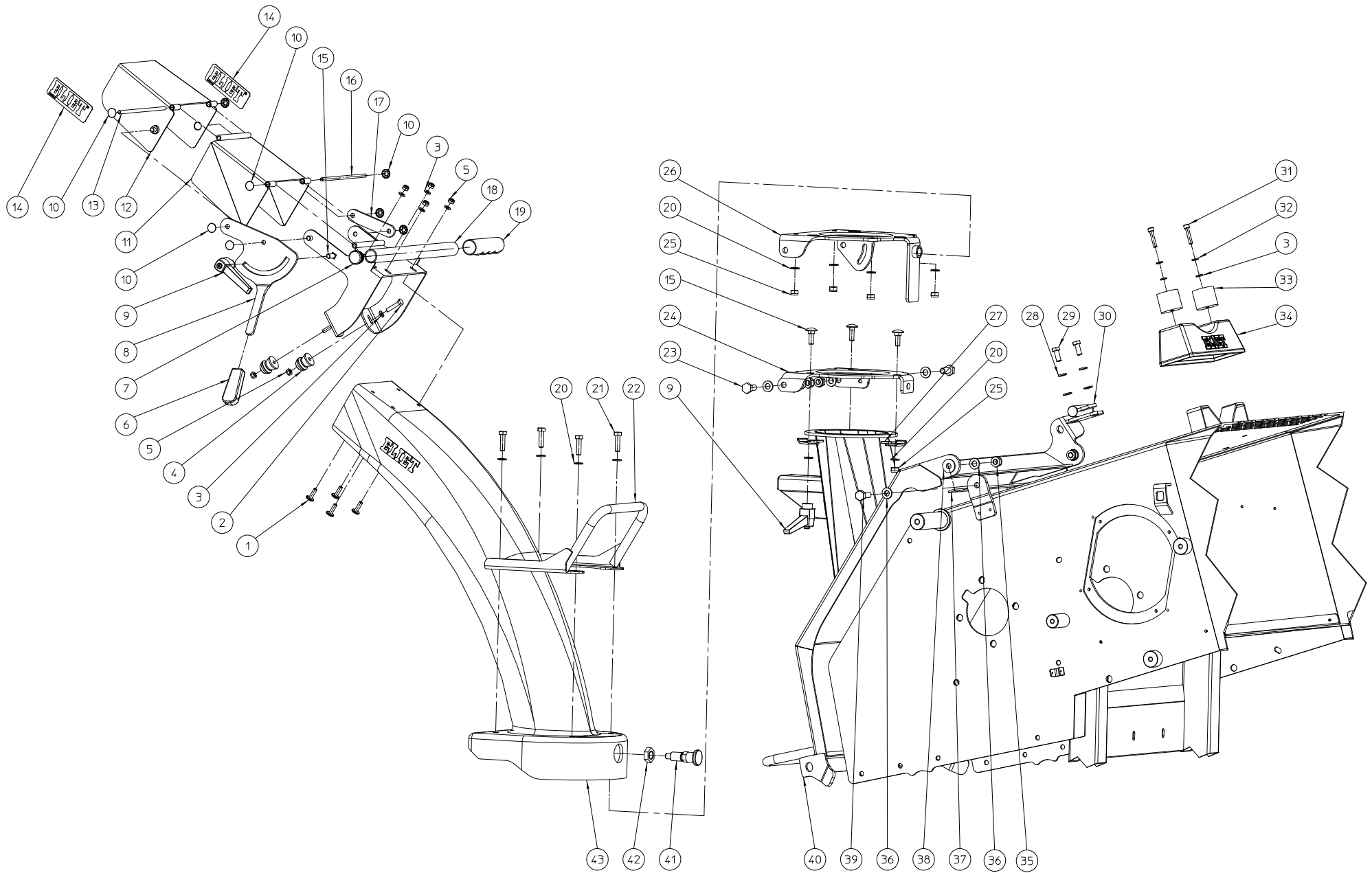
TargetReference	PartNumber	PartDescription	Qty
1	MPA 01 073 550	PROTECTION CHAIN TRANSMISSION	1
2	BS 531 001 000	DIN 125 RONDELLE M10 WASHER DIN 125	2
3	BS 512 001 016	M10X16 BOLT DIN 933	2
4	BS 532 010 406	WASHER M10X40X3	1
5	BS 533 001 000	M10 LOCKING WASHER DIN 127	2
6	BS 512 001 020	M10X20 BOLT DIN 933	2
7	BB 341 080 725	KEY 8X7X25 DIN 6880	1
8	BS 502 001 000	M10 LOCKING NUT DIN 985	6
9	BL 801 503 000	BEARINGS ASPF 206	2
10	BS 512 000 825	M8X25 BOLT DIN 933	1
11	BS 512 000 840	M8X40 BOLT DIN 933	1
12	BS 531 000 800	M8 WASHER DIN 125	9
13	MPA 01 070 420	SPACER BUSHING	2
14	BV 521 010 001	GAS PISTON 500N	1
15	MPA 01 073 870	WASHER 44 X 10 X 3	1
16	BR 112 304 090	COLLAR BUSHING 30/38/44X4+36	2
17	BY 100 106 100	GREASE NIPPLE M6	1
18	MPA 01 073 130	FEED ROLLER ARM	1
19	BS 554 101 020	M10X20 BOLT DIN 6,3	6
20	BS 554 100 820	M8X20 BOLT DIN 603	2
21	BS 522 100 820	M8X20 BOLT DIN 7991	2
22	MPA 01 073 790	ARM GUIDE	1
23	BV 911 000 010	PRESSURE SPING DIA 14 X 2 X 16	2
24	BR 910 000 810	NYLON COVER PLATE	1
25	BS 512 000 612	M6X12 BOLT DIN 933	5
26	BS 533 000 600	M6 LOCKING WASHER DIN 127	4
27	BS 531 000 600	M6 WASHER DIN 125	5
28	MPA 01 073 560	CHUTE SIDE COVER	1
29	MPA 01 073 110	INTAKE ROLL	1
30	BR 111 321 310	NYLON BUSHING 32/50X13	1
31	BS 502 000 800	M8 LOCKING NUT DIN 985	4
32	MPA 01 073 290	LOCKING PIN 10MM	1
33	MPA 01 073 780	RETAINER PLATE INTAKE ROLL	1
34	BS 512 000 820	M8X20 BOLT DIN 933	2
35	BS 502 000 600	M6 LOCKING NUT DIN 985	1
36	BS 551 100 646	EYE BOLT M6X70 + M8 DIN 444	1
37	MPA 01 070 430	SPACER BUSHING CHAIN SPROCKET	1
38	BS 522 500 820	M8X20 BOLT ISO 7380	2
39	BA 161 012 162	CHAIN SPROCKET 3/8 X 7/32 12 T	1
40	BA 151 400 000	HALF CONNECTIING CHAIN LINK 3/8"X7/32"	1
41	BA 151 200 000	CONNECTING CHAIN LINK 3/8"X7/32"	1
42	BA 101 104 020	CHAIN SIMPLEX 3/8"X7/32" 104 LINKS	1
43	BR 600 530 250	RUBBER CUSHION Ø30X25 M8X16	1
44	MPA 01 073 680	SPACER INTAKE ROLL	1

45	BA 161 040 301	SPROCKET SIMPLEX 3/8X7/32 40T /30MM	1
----	----------------	-------------------------------------	---



NO	MMA 01 073 141	REV	1	DATE	2016/12/02
----	----------------	-----	---	------	------------

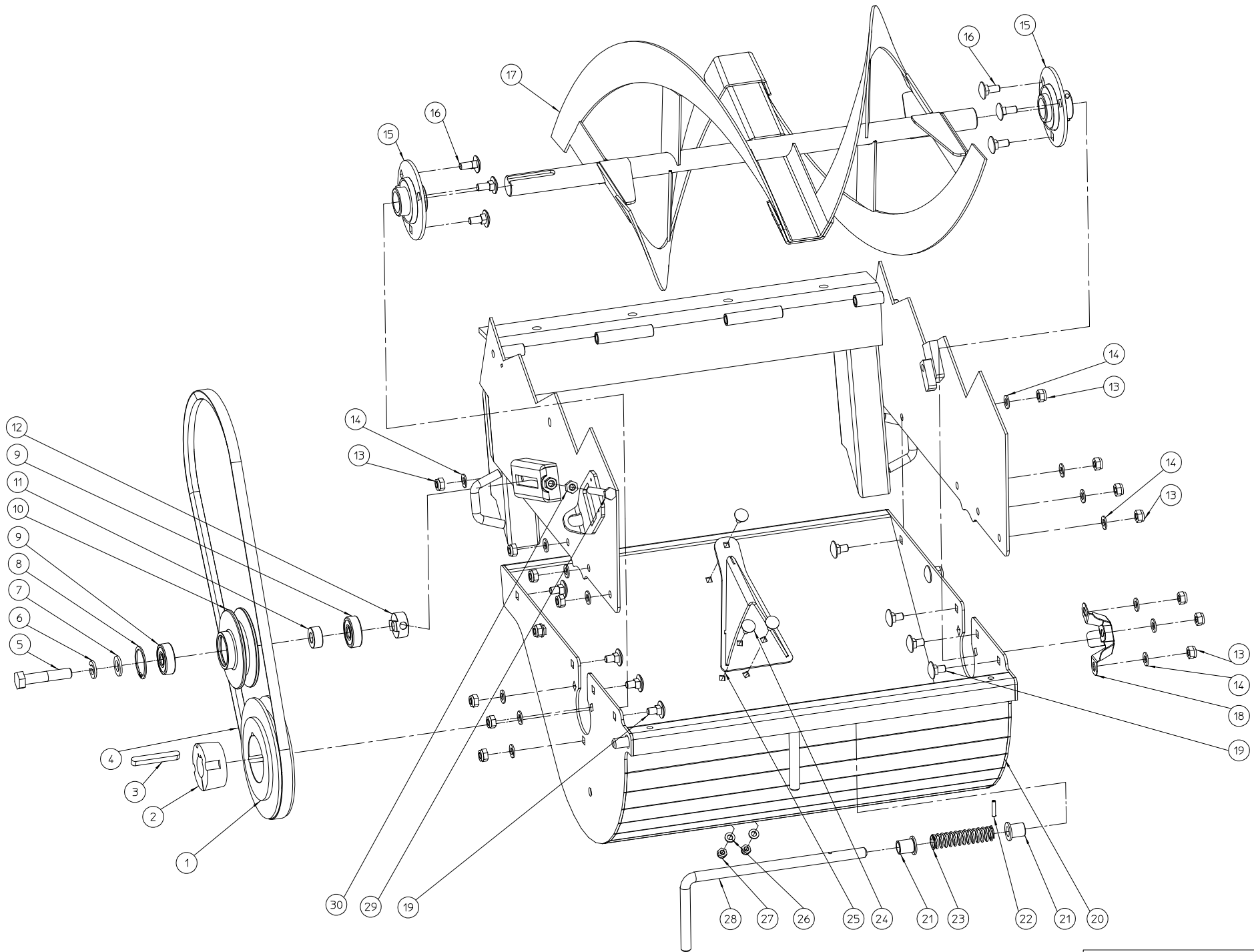
TargetReference	PartNumber	PartDescription	Qty
1	MPA 01 073 150	BOTTOM CALIBRATION 25 MM	1
2	MPA 01 073 160	TOP CALIBRATION 25 MM	1
3	BS 502 001 200	M12 LOCKING NUT DIN 985	8
4	BL 801 604 001	BEARING UCPF-208	2
5	BS 531 001 200	M12 WASHER DIN 125	8
6	BS 512 001 225	M12X25 BOLT DIN 933	8
7	BA 562 718 030	PULLEY SPA 180-3 TL 2517	1
8	BB 501 311 220	SET SCREW 7/16"X7/8" TL2012	2
9	BB 341 121 058	DIN 6880 CLAVETTE 12X10X58	1
10	BB 501 164 000	TAPER LOCK BUSH TL2517 40MM	1
11	BA 552 221 200	BELT XPA-2120/2 POWERBAND	1
12	MPA 01 070 400	LOCK CALIBRATION	2
13	BS 501 000 800	M8 NUT DIN 934	2
14	MPA 01 073 380	AXLE FOR LOCKS CALIBRATION	1
15	MPA 01 073 570	LEVER FOR LOCKS CALIBRATION	1
16	BS 521 100 816	M8X16 BOLT DIN 912	2
17	BS 531 000 800	M8 WASHER DIN 125	10
18	BQ 158 010 150	SOUND INSULATION	1
19	BS 512 000 816	M8X16 BOLT DIN 933	8
20	BS 533 000 800	M8 WASHER DIN 127	8
21	MPA 01 073 310	ANTI PROJECTION	1
22	BS 522 101 030	M10X30 BOLT DIN 7991	4
23	MPA 01 070 180	COUNTER KNIFE	1
24	BB 040 102 040	BETA COTTER PIN 2MM	1
25	MPA 01 070 210	HINGE AXLE	1
26	BS 531 001 000	M10 WASHER DIN 125	4
27	BS 502 001 000	M10 LOCKING NUT DIN 985	4
28	BB 011 000 090	STARLOCK 9MM	2
29	MPA 01 280 080	ROTOR	1
39	BU 401 301 000	SET RESIST PRO KNIVES	1
49	BS 012 401 030	M10 X 1.25 X 30 10.9 KNIFE BOLT DIN 961	1
59	BS 502 001 011	M10X 1,25 10,9 LOCKING NUT DIN 985	1



NO	MMA 01 073 150	REV	2	DATE	2017/11/14
----	----------------	-----	---	------	------------

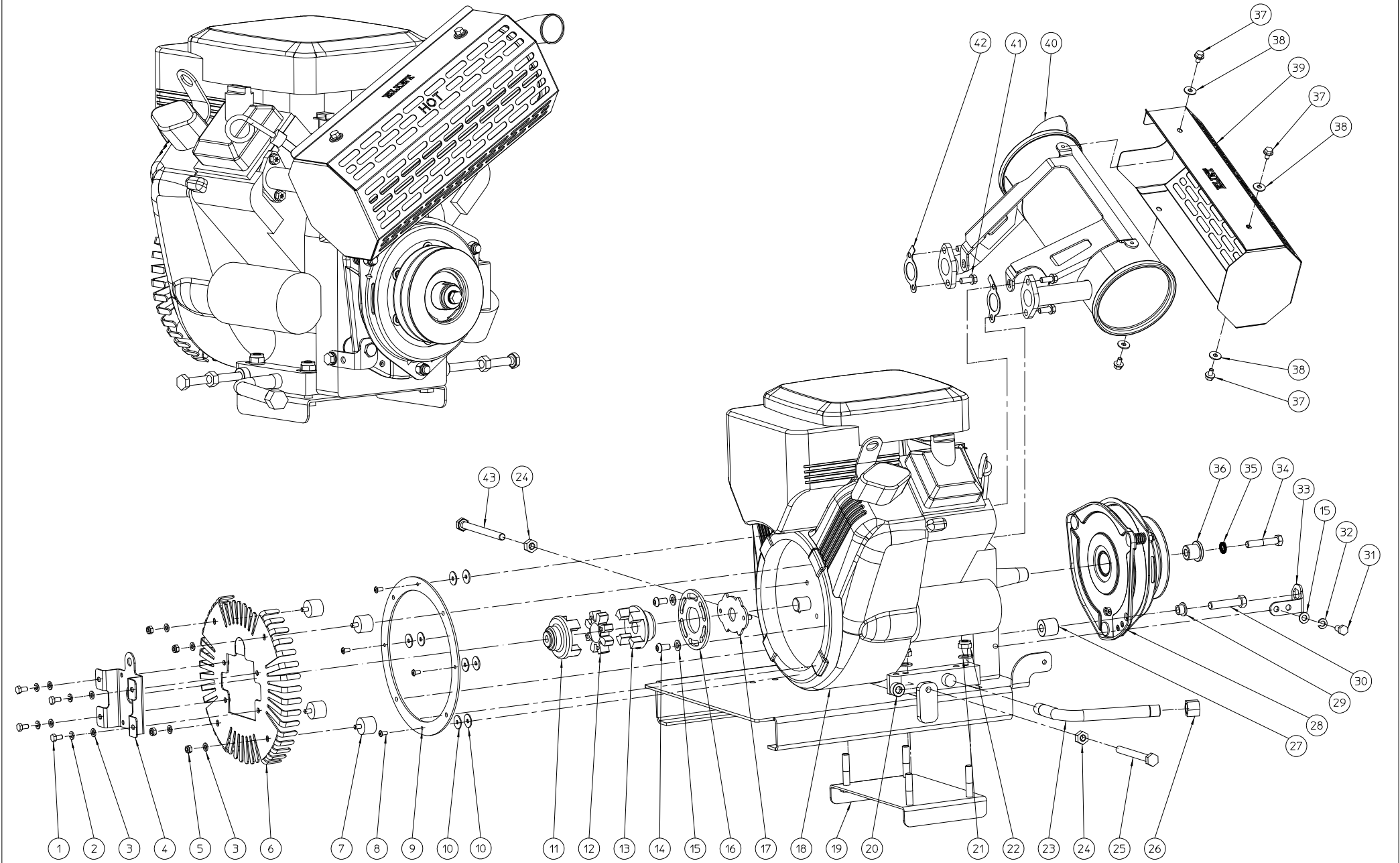


TargetReference	PartNumber	PartDescription	Qty
1	BS 552 100 620	M6X20 BOLT	4
2	BS 512 000 630	M6X30 BOLT DIN 933	2
3	BS 531 000 600	M6 WASHER DIN 125	8
4	BO 530 600 001	STUD	2
5	BS 502 000 600	DIN 985 ECROU NYLON M6	6
6	BN 230 100 202	LEVER GRIP 15X5X6	1
7	BR 020 501 250	TUBE COVER D:25 MM	1
8	MPA 01 073 610	LEVER EJECTION FLAP	1
9	BN 530 108 800	HANDLE M8	2
10	BB 011 000 080	STARLOCK 8MM	8
11	MPA 01 073 270	LOWER EJECTOR FLAP	1
12	MPA 01 310 540	UPPER EJECTOR FLAP	1
13	MPA 01 311 080	EJECTOR FLAP AXLE	1
14	BQ 501 010 090	ELIET DECAL-100X95-NOIR	2
15	BS 554 100 825	M8X25 BOLT DIN 603	4
16	MPA 01 311 090	EJECTOR FLAP AXLE	1
17	MPA 01 073 600	FLAP CONNECTOR PLATE	1
18	MPA 01 073 260	EJECTOR FLAP SUPPORT	1
19	BN 230 100 408	GRIP 1"	1
20	BS 531 000 800	DIN 125 RONDELLE M8 WASHER DIN 125	13
21	BS 512 000 830	M8X30 BOLT DIN 933	4
22	MPA 01 073 280	DISCHARGE CHUTE HANDLE	1
23	BS 512 001 025	DIN 933 VIS M10X25 BOLT DIN 933	2
24	MPA 01 074 360	DISCHARGE CHUTE TURNING PLATE	1
25	BS 502 000 800	M8 LOCKING NUT DIN 985	6
26	MPA 01 074 370	DISCHARGE CHUTE HINGE PLATE	1
27	MPA 01 073 520	RETAINER PLATE	3
28	BS 533 000 800	M8 LOCKING WASHER DIN 127	2
29	BS 512 000 820	M8X20 BOLT DIN 933	2
30	MPA 01 073 290	LOCKING PIN 10MM	1
31	BS 521 100 630	M6X30 BOLT DIN 912	2
32	BS 533 000 600	M6 LOCKING WASHER DIN 127	2
33	BO 530 600 002	RUBBER CUP	2
34	BR 930 070 020	DISCHARGE CHUTE SEAT	1
35	BS 502 001 000	M10 LOCKING NUT DIN 985	4
36	BS 531 001 000	M10 WASHER DIN 125	8
37	BR 001 512 031	EPDM STRIP 3 X 12 MM X 480MM	1
38	BR 112 100 600	COLLAR BUSHING 10/13.5/25X2.5+3.5	2
39	BS 512 001 030	M10X30 BOLT DIN 933	2
40	MPA 01 073 250	SHREDDING CHAMBER COVER PLATE	1
41	BN 000 216 580	RETRACTABLE LOCKING PIN Ø 10MM-M16X1.5	1
42	BS 501 901 601	M16 X 1,5 NUT DIN 439	1
43	BR 930 070 010	DISCHARGE CHUTE	1



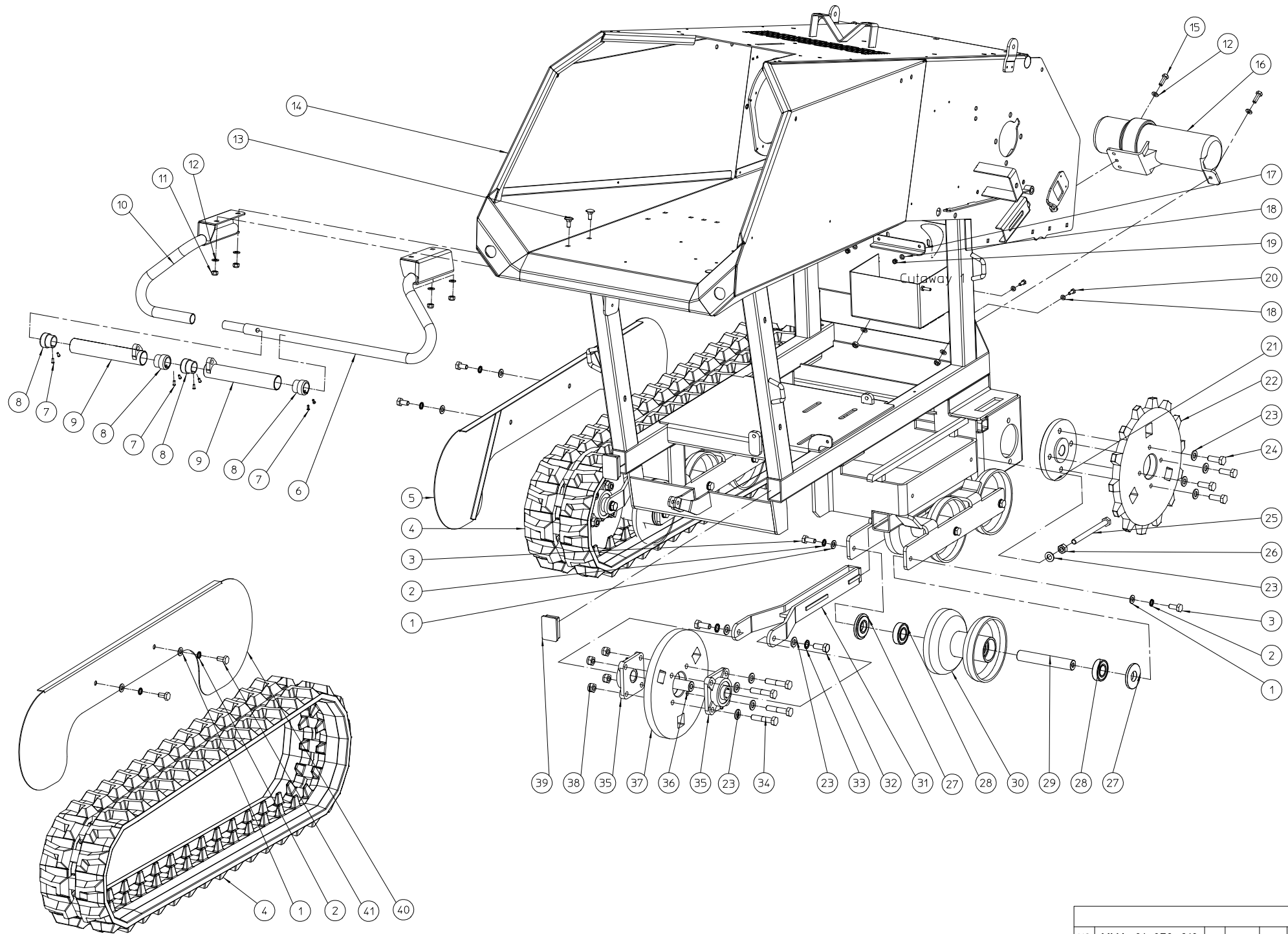
NO	MMA 01 073 160	REV	4	DATE	2018/06/27
----	----------------	-----	---	------	------------

TargetReference	PartNumber	PartDescription	Qty
1	BA 562 714 001	PULLEY SPA 140 TL1610	1
2	BB 501 132 500	TAPER LOCK TL1610 25MM	1
3	BB 351 080 760	KEY 8X7X60 DIN 6885A	1
4	BA 521 212 070	BELT XPA 1207 QUAD-POWER III	1
5	BS 511 001 244	M12X60 BOLT DIN 931	1
6	BS 533 001 200	M12 WASHER DIN 127	1
7	BS 531 001 200	M12 WASHER DIN 125	1
8	BB 002 000 370	RETAINING RING Ø37 DIN 472	1
9	BL 001 203 703	BEARING 6301 2RZ DIN 625	2
10	BA 565 709 004	IDLER PULLEY AXELERO SPA 90	1
11	MPA 01 074 570	SPACER IDLER PULLEY AXELERO	1
12	MPA 01 074 560	FIXING PART	1
13	BS 502 000 800	M8 LOCKING NUT DIN 985	16
14	BS 531 000 800	M8 WASHER DIN 125	16
15	BL 801 502 502	BEARING UCPF 205	2
16	BS 554 100 820	M8X20 BOLT DIN 603	6
17	MPA 01 073 320	AXELERO	1
18	MPA 01 041 260	BEARING COVER	1
19	BS 554 100 816	M8X16 BOLT DIN 603	10
20	MPA 01 073 170	AXELERO HOUSING	1
21	BR 112 201 290	NYLON BUSHING	4
22	BB 120 040 200	SPIRAL PIN 4X20	2
23	BV 907 000 030	PRESSURE SPRING Ø14 L:75	2
24	BS 554 100 616	M6X16 BOLT DIN 603	3
25	MPA 01 073 700	DEFLECTOR	1
26	BS 531 000 600	M6 WASHER DIN 125	3
27	BS 502 000 600	M6 NUT DIN 985	3
28	MPA 01 073 670	LATCH PIN	2
29	BS 512 000 848	M8X80 BOLT DIN 933	1
30	BS 501 000 800	M8 NUT DIN 934	1



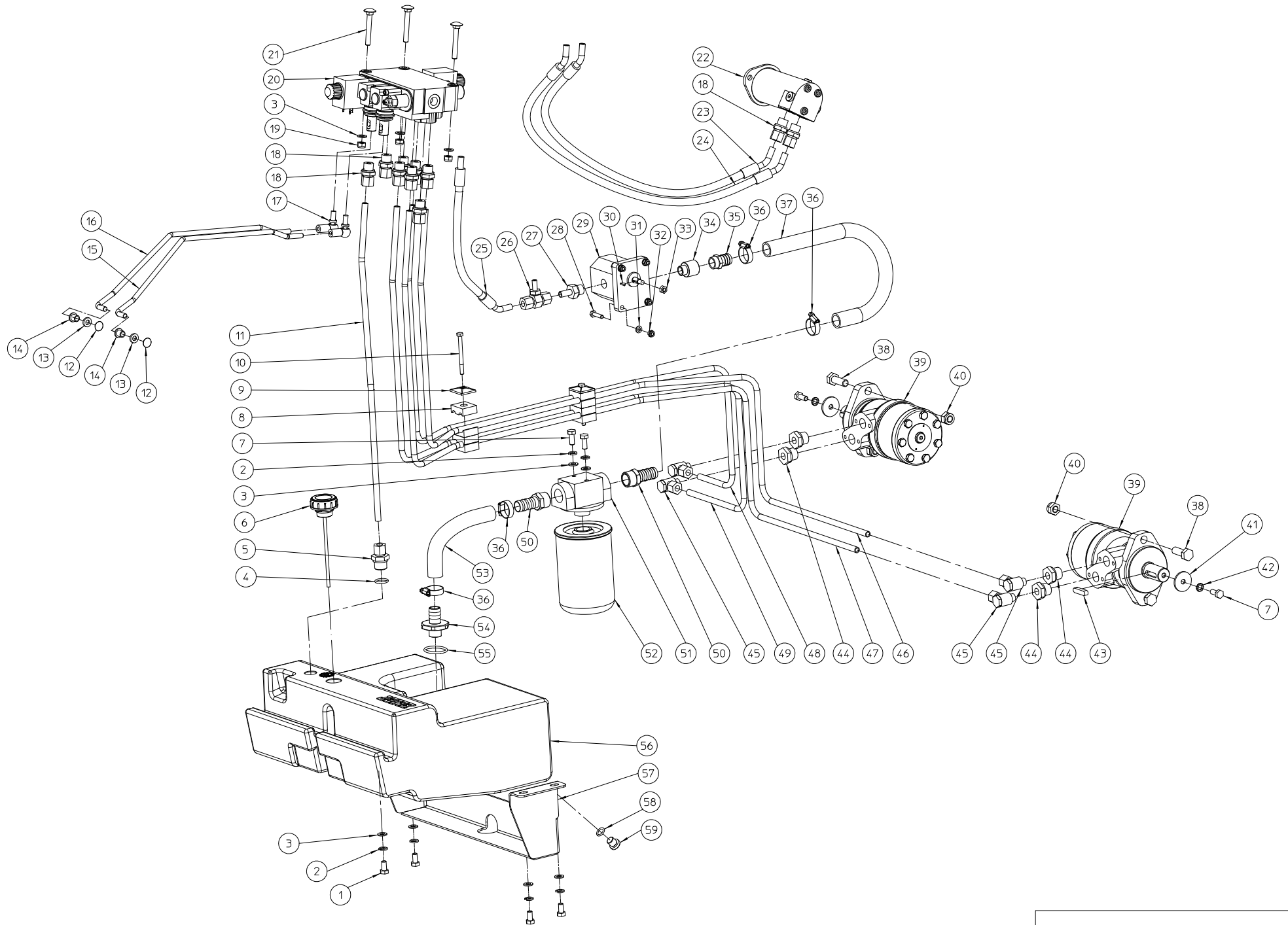
NO	MMA 01 073 183	REV	1	DATE	2019/02/12
----	----------------	-----	---	------	------------

TargetReference	PartNumber	PartDescription	Qty
1	BS 512 000 612	M6X12 BOLT DIN 933	4
2	BS 533 000 600	M6 WASHER DIN 127	4
3	BS 531 000 600	M6 WASHER DIN 125	8
4	MPA 01 073 820	PUMP SUPPORT	1
5	BS 502 000 600	M6 LOCKING NUT DIN 985	4
6	MPA 01 073 390	ENGINE COOLIING AIR COVER	1
7	BR 600 225 201	VIBRATION ABSORBER 25X20 M6X10	4
8	BB 221 005 100	STEEL RIVET 4.8X10 DIN 7337	4
9	MPA 01 070 670	RING	1
10	BS 532 005 202	WASHER M5X20X1	8
11	BA 201 220 101	FLEX COUPLING PUMP SIDE	1
12	BA 201 240 000	RUBBER FLECTOR	1
13	BA 201 232 000	FLEX COUPLING ENGINE SIDE	1
14	BS 522 500 816	M8X16 BOLT ISO 7380	2
15	BS 531 000 800	M8 WASHER DIN 125	3
16	MPA 01 070 680	FLANGE	1
17	MPA 01 070 690	CENTRE PIECE	1
18	BM 201 323 003	ENGINE B&S 23 HP VANGUARD EFI - TAPERED SHAFT	1
19	MPA 01 070 230	ENGINE FIXATION PLATE	1
20	MPA 01 074 440	BOLT SEAT	2
21	BS 531 001 000	M10 WASHER DIN 125	4
22	BS 502 001 000	M10 LOCKING NUT DIN 985	4
23	BM 261 300 400	OIL DRAIN	1
24	BS 501 001 000	M10 NUT DIN 934	2
25	BS 512 001 050	M10X100 BOLT DIN 933	1
26	BT 174 150 600	DRAIN CAP 3/8"	1
27	MPA 01 074 600	SPACER	1
28	BA 250 105 030	CLUTCH BRAKE GT 3,5-EL03 TAPERED HUB	1
29	BR 112 101 011	NYLON BUSHING	1
30	BS 512 951 142	BOLT 7/16 X 2" UNC	1
31	BS 512 000 816	M8X16 BOLT DIN 933	1
32	BS 533 000 800	M8 WASHER DIN 127	1
33	MPA 01 074 460	CLUTCH BRACKET	1
34	BS 511 041 042	BOLT 3/8"UNF X2"	1
35	BS 733 611 016	M10 LOCKING WASHER	1
36	MPA 01 074 490	CLUTCH BUSHING	1
37	BS 511 400 610	M6X10 BOLT DIN 6921	4
38	BS 532 006 183	M6X18X1.5 WASHER DIN 440	4
39	MPA 01 073 450	MUFFLER GUARD	1
40	BM 261 300 720	MUFFLER SUPER PROF MAX	1
41	BM 260 691 902	MUFFLER FIXING BOLTS B&S	4
42	BM 260 806 425	MUFFLER GASKET	2
43	BS 512 001 052	M10X120 BOLT DIN 933	1



NO	MMA 01 073 210	REV	2	DATE
----	----------------	-----	---	------

#	Order nr	article description	quantity
1	BS 531 001 000	washer m10 din 125	16
2	BS 534 001 000	lock washer m10 din 6798a	16
3	BS 512 001 025	bolt m10x25 din 933	12
4	BW 818 072 370	crawler track	2
5	MPA 01 070 900	protection left	1
6	MPA 01 073 410	steer right	1
7	BB 221 104 100	pop plug alu 3.9x10 din 7337 a	8
8	BR 910 000 010	nylon bushing with collar (25/30/34x30/15)	4
9	MPA 01 073 440	control pipe cross country	2
10	MPA 01 073 420	steer left	1
11	BS 502 000 800	self locking nut m8 din 985	6
12	BS 531 000 800	washer m8 din 125	9
13	BS 554 100 820	bolt m8x20 din 603	4
14	MPA 01 073 500	chassis sp 2015 cross country	1
15	BS 512 000 825	bolt m8x25 din 933	2
16	BQ 790 010 020	document holder 320 mm	1
17	MPA 01 070 970	square battery	1
18	BS 531 000 600	washer m6 din 125	4
19	BS 502 000 600	self locking nut m6 din 985	2
20	BS 512 000 616	bolt m6x16 din 933	2
21	BA 281 504 502	hub rear wheel Ø12,5mm	2
22	MPA 01 070 880	back wheel	2
23	BS 531 001 200	washer m12 din 125	22
24	BS 512 001 235	bolt m12x35 din 933	8
25	BS 512 001 255	bolt m12x150 din 933	2
26	BS 501 001 200	nut m12 din 934	2
27	MPA 01 071 030	washer	12
28	BL 002 505 203	bearing 6205 zz	12
29	MPA 01 071 040	axle idler	6
30	MPA 01 071 020	idler	6
31	MPA 01 071 000	tightener	2
32	BS 512 001 230	bolt m12x30 din 933	4
33	BS 534 001 200	lock washer m12 din 6798a	4
34	BS 511 001 244	bolt m12x60 din 931	8
35	BL 711 272 505	bearing ufc205	4
36	MPA 01 070 980	axle front wheel	2
37	MPA 01 070 890	front wheel	2
38	BS 502 001 200	self locking nut m12 din 985	8
39	BR 021 160 400	cap 60x40	2
40	MPA 01 070 990	protection right	1
41	BS 512 001 020	bolt m10x20 din 933	4



NO	MMA 01 073 220	REV	2	DATE	2019/03/11
----	----------------	-----	---	------	------------



# ELIET MANUAL

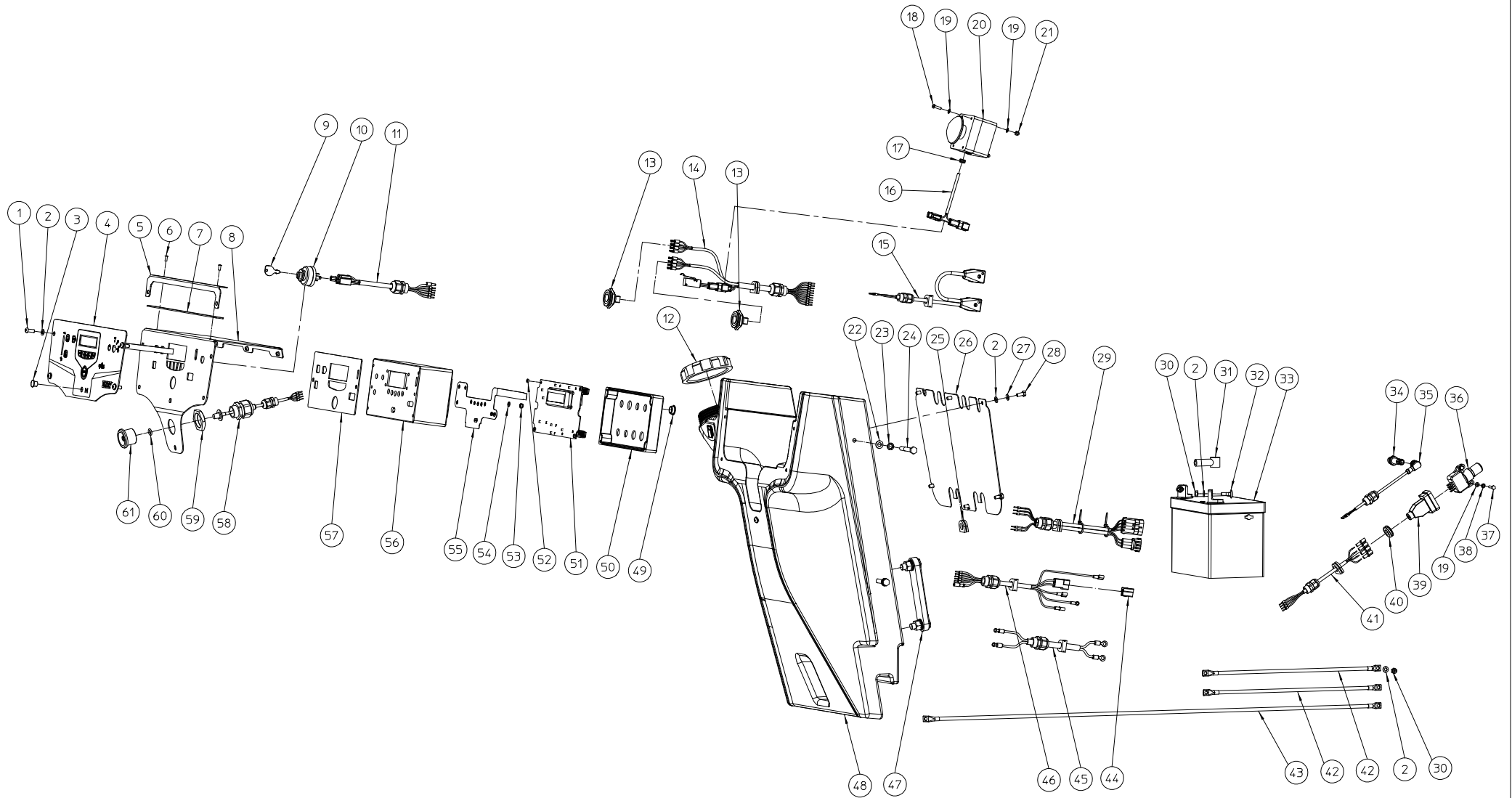
## Super Prof Max EFI

MMA 01 073 220

HYDRAULICS - SP MAX EFI CC

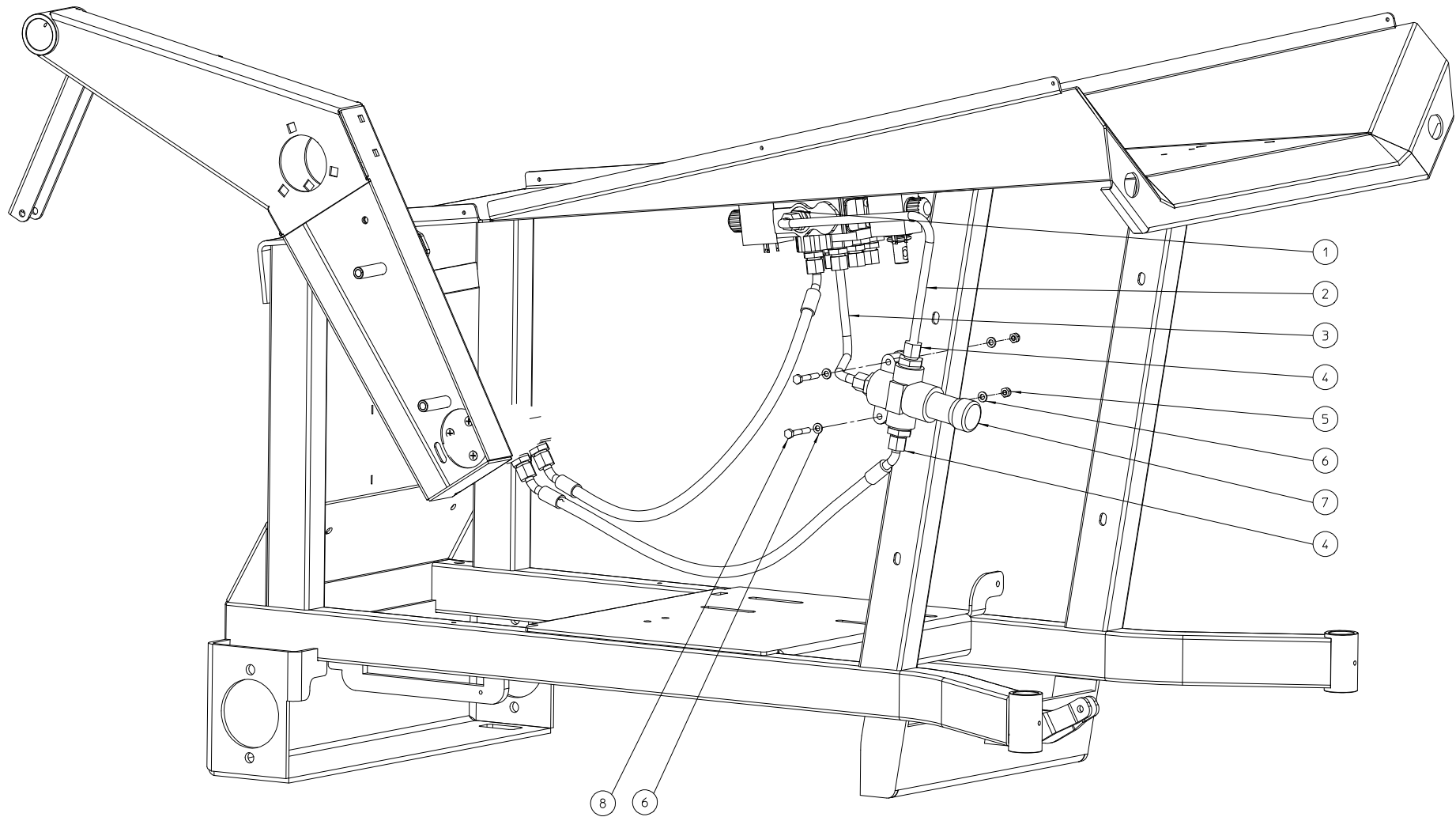
NUMBER	ARTICLE	DESCRIPTION	QUANTITY
1	BS 512 000 816	BOLT M8X16 DIN 933	4
2	BS 533 000 800	LOCK WASHER M8 DIN 127B	6
3	BS 531 000 800	WASHER M8 DIN 125	9
4	BH 812 180 300	O-RING Ø 18 X 3 MM VITON	1
5	BH 509 251 009	MALE STUD COUPLING 10Lx1/2" HOLE 10	1
6	BH 720 704 112	FILLER CAP	1
7	BS 512 000 820	BOLT M8X20 DIN 933	4
8	BH 711 020 100	PIPE CLAMP B-10MM	1
9	BH 710 003 010	CLAMP BASE - A	1
10	BS 511 000 646	BOLT M6X70 DIN 931	1
11	MPA 01 074 150	HYDRAULIC PIPE (PUMP RETURN)	1
12	BB 011 000 080	STARLOCK 8MM	2
13	BR 111 080 300	NYLON BUSHING (8,2/16X3)	1
14	BR 112 081 300	NYLON BUSHING WITH COLLAR (8/11/16x13/2	1
15	MPA 01 073 860	LINK ROD TRACTION CONTROL CC	1
16	MPA 01 073 850	LINK ROD TRACTION CONTROL	1
17	BA 230 010 800	BALL JOINT M8	2
18	BH 509 211 006	MALE STUD COUPLING 10Lx3/8"	8
19	BS 502 000 800	SELF LOCKING NUT M8 DIN 985	1
20	BH 400 401 310	HYDRAULIC VALVE SD5-3	1
21	BS 554 100 844	BOLT M8X60 DIN603	3
22	BH 331 204 001	HYDRAULIC ENGINE MM F S 40 C - LL	2
23	BH 551 040 800	FLEXIBLE HYDRAULIC HOSE 1/4"x800	1
24	BH 551 040 871	FLEXIBLE HYDRAULIC HOSE 1/4"x870	1
25	BH 551 040 480	FLEXIBLE HYDRAULIC HOSE 1/4"x480	1
26	BH 563 000 100	MANOMETER COUPLER 10LxM16x2	1
27	BH 512 671 006	STANDPIPE ADAPTOR 10SR3/8"	1
28	BS 512 000 625	BOLT M6X25 DIN 933	1
29	BH 210 103 200	HYDRAULIC PUMP 3.2CC	1
30	BB 321 020 512	KEY 2X5X12.65 DIN 6888	1
31	BS 531 000 600	WASHER M6 DIN 125	1
32	BS 502 000 600	SELF LOCKING NUT M6 DIN 985	1
33	BS 501 000 700	NUT M7 DIN 934	1
34	BT 134 280 608	MESSING 3/8X1/2	1
35	BT 136 260 820	INSERT CONNECTOR FOR HOSE 20X1/2	1
36	BT 670 117 290	HOSE CLAMP 17X29MM	2
37	BR 220 619 045	FLEXIBLE SUCTION PIPE Ø19x450MM	1
38	BS 512 001 235	BOLT M12X35 DIN 933	1
39	BH 331 525 000	HYDRAULIC ENGINE MR N 250 CD	1
40	BS 502 001 200	SELF LOCKING NUT M12 DIN 985	2

41	BS 532 008 356	WASHER M8X35X3	1
42	BS 534 000 800	LOCK WASHER M8 DIN 6798A	1
43	BB 351 080 735	KEY 8X7X35 DIN 6885A	1
44	BH 514 100 804	REDUCTION STUD (M-F) 1/2"-1/4"	3
45	BH 513 111 004	BANJO 10Lx1/4"	3
46	MPA 01 074 520	HYDRAULIC TUBE EFI CC	1
47	MPA 01 074 530	HYDRAULIC TUBE EFI CC	1
48	MPA 01 074 510	HYDRAULIC TUBE EFI CC	1
49	MPA 01 074 500	HYDRAULIC TUBE EFI CC	1
50	BT 136 261 219	ADAPTOR Ø 19MM - 3/4"	2
51	BH 280 612 121	HYDRAULIC FILTER 3/4"	1
52	BH 280 212 000	OIL FILTER (RETURN)	1
53	BR 220 619 018	FLEXIBLE SUCTION PIPE Ø19x18CM	1
54	MPA 01 073 890	ADAPTOR Ø 20MM - 1/2"	1
55	BH 812 345 350	O-RING 34,52 X 3,53 MM VITON	1
56	BY 717 212 012	OIL RESERVOIR	1
57	MPA 01 073 230	SUPPORT OIL RESERVOIR	1
58	BH 802 012 250	O-RING Ø 12 X 2,5 MM	1
59	BH 518 500 400	BLANKING PLUG 1/4"	1



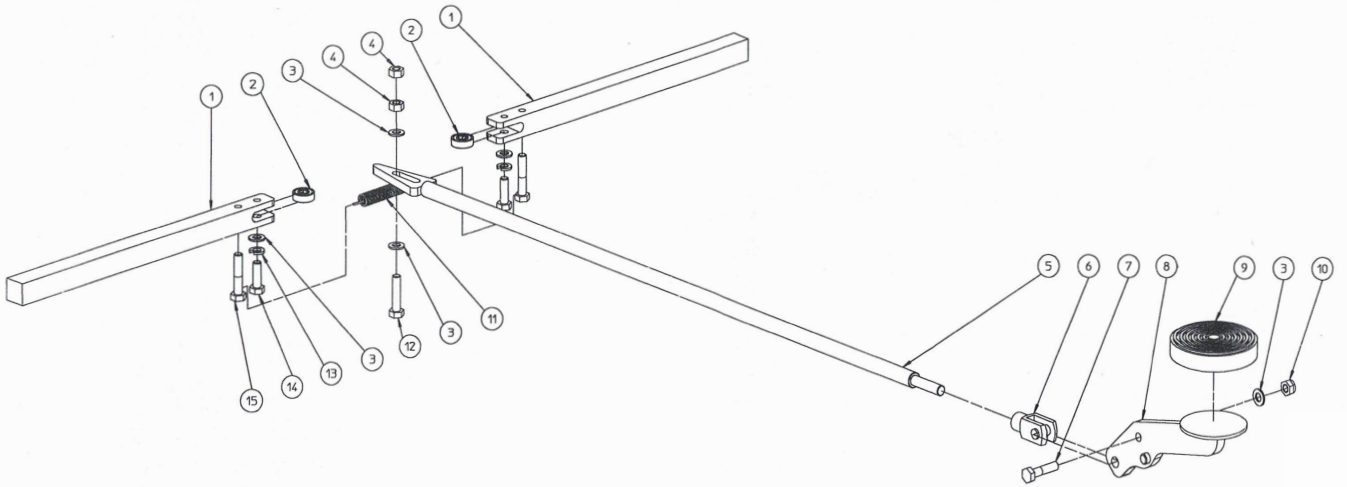
TargetReference	PartNumber	PartDescription	Qty
1	BS 522 500 616	M6X16 BOLT ISO 7380	5
2	BS 531 000 600	M6 WASHER DIN 125	14
3	BR 321 010 149	BLACK COVER PLUG 10MM	1
4	BE 700 021 100	DASHBOARD TOUCH PANEL	1
5	MPA 01 073 880	PROTECTION STRIP	1
6	BB 221 104 100	ALU RIVET 3.9X10 DIN 7337	2
7	BR 900 001 700	INSULATION STRIP	1
8	MPA 01 073 371	DASHBOARD PLATE	1
9	BM 260 691 959	STARTING KEY	1
10	BM 260 692 318	STARTING KEY SWITCH	1
11	BE 099 000 602	ELECTRIC CABLE ASSEMBLY - STARTING SWITCH	1
12	BH 720 505 885	FUEL TANK CAP 3 1/2"	1
13	BE 120 081 420	VANDAL PROOF PUSH BUTTON / LED	2
14	BE 099 000 606	ELECTRIC CABLE ASSEMBLY - FEEDROLLER CONTROLS	1
15	BE 099 000 604	ELECTRIC CABLE ASSEMBLY - ELECTRO HYDRAULIC VALVE CONTROLS	1
16	BE 099 000 611	ELECTRIC CABLE ASSEMBLY - EMERGENCY STOP	1
17	BR 000 206 202	CABLE GLAND 6/9/12/2 EPDM	2
18	BS 541 000 416	M4X16 SCREW DIN 85	4
19	BS 531 000 400	M4 WASHER DIN 125	10
20	BE 122 650 003	EMERGENCY STOP SWITCH 60	1
21	BS 505 500 400	M4 BOLT DIN 1587	4
22	BS 531 000 800	M8 WASHER DIN 125	4
23	BS 534 000 800	M8 LOCKING WASHER DIN 6798	4
24	BS 511 000 844	M8X60 BOLT DIN 931	4
25	BR 000 213 521	GROMMET	1
26	MPA 01 073 800	COVER PLATE DASH BOARD	1
27	BS 533 000 600	M6 WASHER DIN 127	6
28	BS 512 000 614	M6X14 BOLT DIN 933	6
29	BE 099 000 610	ELECTRIC CABLE ASSEMBLY - ENGINE DATA EXCHANGE	1
30	BS 502 000 600	M6 LOCKING NUT DIN 985	3
31	BR 701 010 150	BATTERY CONNECTOR COVER	1
32	BS 554 100 620	M6X20 BOLT DIN 603	2
33	BE 240 120 300	BATTERY 12V 30AH	1
34	BE 400 010 200	SCREEN SENSOR	1
35	BE 099 004 411	ELECTRIC CABLE - SENSOR SCREEN	1
36	BE 120 030 020	SWITCH	1
37	BS 512 000 420	M4X20 BOLT DIN 933	2
38	BS 534 000 400	M4 WASHER DIN 6798	2
39	BR 002 010 302	SWITCH SERVICE HATCH	1
40	BR 000 212 040	GROMMET	1
41	BE 099 000 605	ELECTRIC CABLE ASSEMBLY - SWITCH SERVICE HATCH	1

42	BE 090 180 371	BLACK BATTERY CABLE 16 MM <sup>2</sup> / 395MM	2
43	BE 090 281 031	RED BATTERY CABLE 16MM <sup>2</sup> / 1055MM	1
44	BE 032 180 907	CONNECTOR HOUSING	1
45	BE 099 000 609	ELECTRIC CABLE ASSEMBLY - 12V SUPPLY	1
46	BE 099 000 601	ELECTRIC CABLE ASSEMBLY - ENGINE	1
47	BH 730 404 005	FUEL GAUGE 127MM	1
48	BY 717 212 020	FUEL TANK SUPER PROF	1
49	BE 071 041 602	COVER PLUG M16X1,5	1
50	BE 142 412 102	ELECTRIC BOX COVER	1
51	BE 700 023 020	PCB ELIET SUPER PROF 2015 EFI (BOELS CONFIGURATION)	1
52	BR 111 040 270	WASHER M4 (4,3X7X2,2)	4
53	BS 502 000 500	M5 LOCKING NUT DIN 985	2
54	BS 531 000 500	M5 WASHER DIN 125	2
55	BE 700 022 000	LED PRINT	1
56	BE 142 412 101	ELECTRIC BOX	1
57	BR 900 001 690	EPDM INSULATION RUBBER 2MM	1
58	BE 700 024 000	ELECTRIC CABLE ECO EYE	1
59	BE 071 083 200	BOLT	1
60	BR 000 209 039	JOINT DIAM. 16	1
61	MPA 01 073 710	EYE – ECO EYE	1



ELIET SP2015 -- FEED-IN GOVERNOR					
NO	MMA 01 073 280	REV	1	DATE	2016/08/26

#	Bestelnummer	Omschrijving	Aantal
1	BH 509 211 006	rechte inschroefkoppeling 10lx3/8"	1
2	MPA 01 074 190	tuyau retour kit regulateur (walvoil)	1
3	MPA 01 074 180	tuyau pression kit regulateur (walvoil)	1
4	BH 509 221 022	rechte inschroefkoppeling 10lxm22	3
5	BS 502 000 600	borgmoer met nylonring m6 din 985	2
6	BS 531 000 600	rondsel m6 din 125	4
7	BH 430 012 200	snelheidsregelaar mtkavar 0,05-12l	1
8	BS 511 000 640	bout m6x40 din 931	2



NO					
----	--	--	--	--	--



N° pos.	Nom	Description	Qté totale
0	MA 029 001 005	SET FRENO	0
1	MPA 01 073 490	BARRE-DE-FREIN	2
2	BL 000 802 203	DIN 625 ROUL.EZO 608 ZZ	2
3	BS 531 000 800	DIN 125 RONDELLE M8	5
4	BS 501 000 800	DIN 934 ECROU M8	2
5	MPA 01 073 480	TRINGLE-POUSOIR-FREIN	1
6	BS 556 001 000	DIN71752 M10X20 --LEVIER A FOURCHE	1
7	BS 511 000 835	DIN 931 VIS M8X35	1
8	MPA 01 070 130	PEDALE FREIN	1
9	BR 900 000 110	CAOUTCHOUC POUR PIED DIA:90X18MM	1
10	BS 502 000 800	DIN 985 ECROU NYLON M8	1
11	BV 923 000 060	RESSORT TRACTION Ø12MM FIL=1.5MM LG=80MM	1
12	BS 512 000 835	DIN 933 VIS M8X35	1
13	BS 533 000 800	DIN 127 RONDELLE GROER M8	2
14	BS 512 000 825	DIN 933 VIS M8X25	2
15	BS 511 000 840	DIN 931 VIS M8X40	2